

Thank you for your interest in our schematics. The schematic is available on the next page.

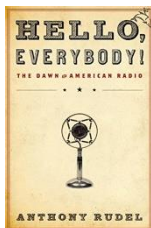
If you want to download additional parts of a schematic, or additional schematics, these must be requested individually.

To provide you with this information, more than 6000 members work regularly on the content of Radiomuseum.org.

As a member, you can access schematics, large images without watermarks and collector's prices. You will also surf at Radiomuseum.org without advertising. To do so, you may support Radiomuseum.org with a one-time membership fee of 20 € or 30 CHF or 25 US \$. We would be delighted if you joined as a member:

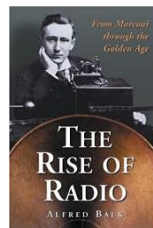
https://www.radiomuseum.org/dsp_anmelden_start.cfm

These books might be of interest of you:



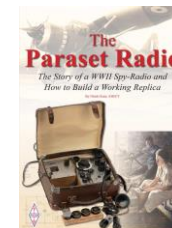
Hello, Everybody! The Dawn of American Radio

Long before the Internet, another young technology was transforming the way we connect with the world. At the dawn of the twentieth century, radio grew from an obscure hobby into a mass medium with the power to reach millions of people.



The Rise of Radio, from Marconi through the Golden Age

As the dominant form of electronic mass communication in the United States from the 1930s into the 1950s, radio helped to forge a modern continental nation. It fused myriad subcultures heavily rural, ethnic, and immigrant into a national identity, unifying the nation in the face of the Depression and war.

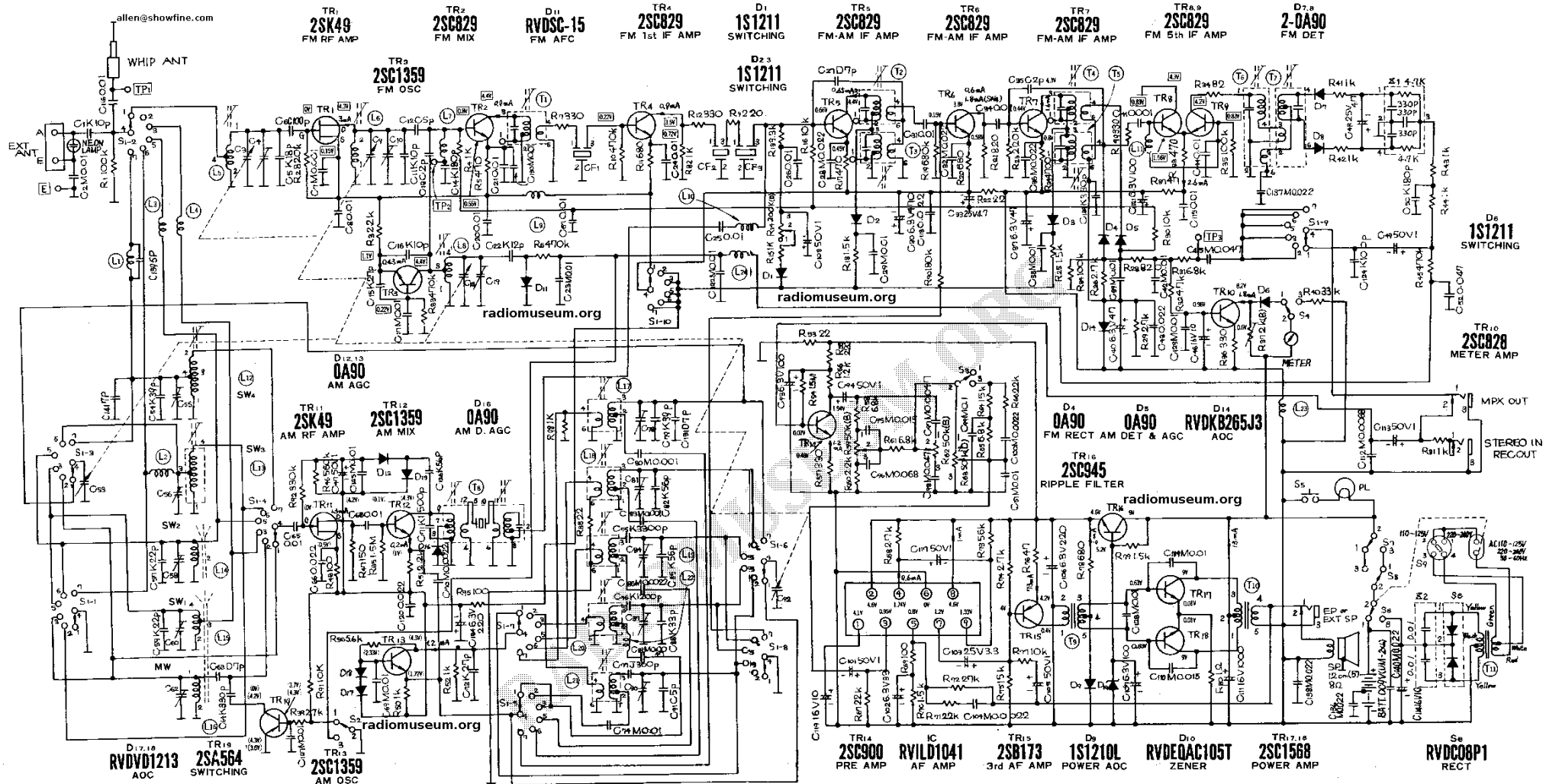


The Paraset Radio: The Story of a WWII Spy-Radio and How to Build a Working Replica

This book describes the gripping story behind the Paraset – a unique spy-radio, dropped behind enemy lines in the dark days of WWII. This radio being both light weight and state of the art for the time was concealed in a suitcase, making ideal for use by the spies of SOE.

Click [here](#) for further information.

Schematic Diagram - Model RF-1180B

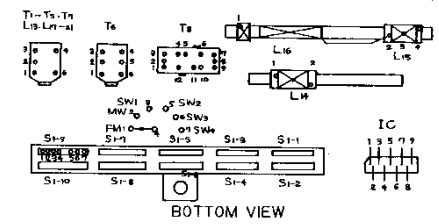


C	1	2	16	14	13	3	4	5	6	7	8	9	10	11	12	13	14	15	16	17	18	19	20	21	22	190	23	67	24	122	25	26	108	27	28	29	30	31	32	33	34	35	36	37	38	118	129	39	40	41	42	43	123	115	44	45	46	137	124	48	49	50	52																																																	
R	53	54	55	56	57	58	59	60	62	63	64	65	66	67	68	69	70	71	72	73	74	75	76	77	78	79	80	81	82	83	84	85	86	87	88	89	90	91	92	93	94	95	96	101	102	97	98	99	104	100	105	106	107	108	109	110	111	138	136	112	113	114	140	1	2	3	83	4	5	6	7	10	11	82	74	12	9	13	14	15	16	17	18	19	20	21	22	23	24	25	84	26	27	28	29	87	30	31	32	33	34	35	36	37	40	41	42	43	44	45	80	81

001/V

Notes:

- S1-1~S1-10: Band selector switch in "FM" position.
- S2: FM AFC, MW DX-LOCAL switch in "AFC ON", "DX" position.
- S3: Loudness switch in "OFF" position.
- S4: Indicator switch in "Tuning" position.
- S5: Dial light switch in "OFF" position.
- S6: AC-Battery selector switch in "Battery" position.
- S7: Power switch in "OFF" position.
- S8: Timer switch in "OFF" position.
- S9: Voltage Selector switch in "110~125V" position.
- DC voltage measurements are taken with circuit tester 10kΩ/V from negative terminal of battery.



RF-1180B